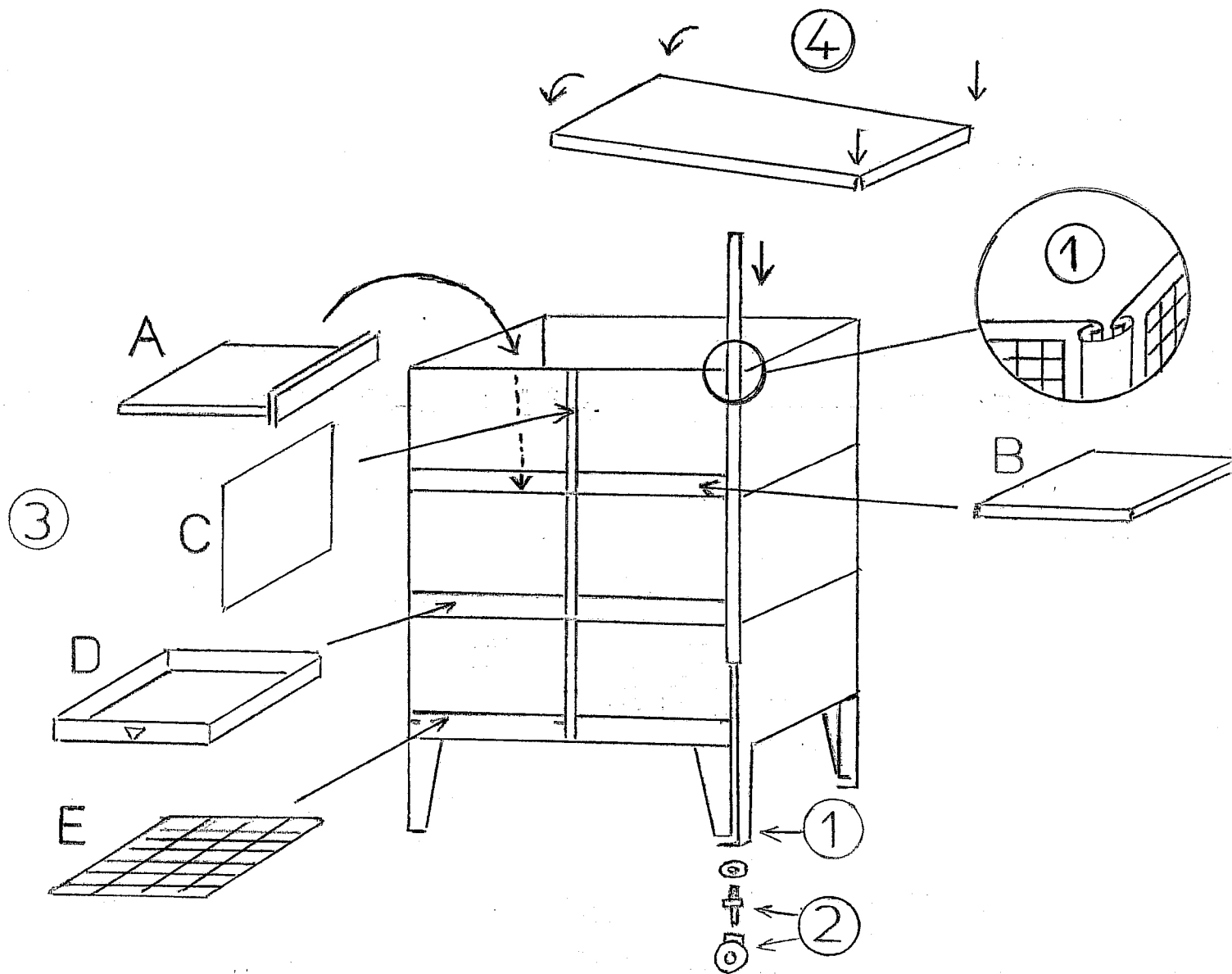


AVIARY CANARY REF 1336



1. Position front panels - sides - back standing feet down and assemble the panels with the sliding rod.
2. Mount pivots and casters
3. Insert bottom with top or bottom guide "A"
Insert the normal sub-bottom "B"
Insert separation walls "C"
Insert the drawers "D"
Insert "E" grids
4. Assemble the roof