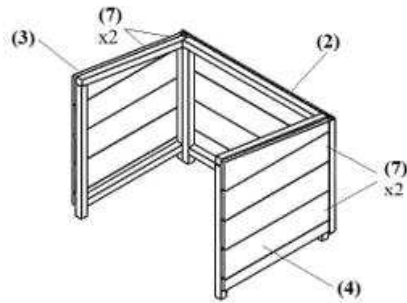


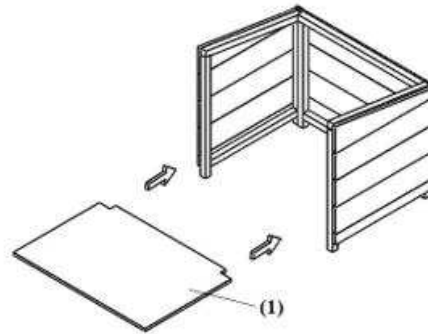
RABBIT HUTCH MARYLAND

- (1) Bottom x1
- (2) Back front x1
- (3) Left panel x1
- (4) Right panel x1
- (5) Front panel x1
- (6) Roof x1
- (7) Screw $\phi 3.5 \times 45$ x8

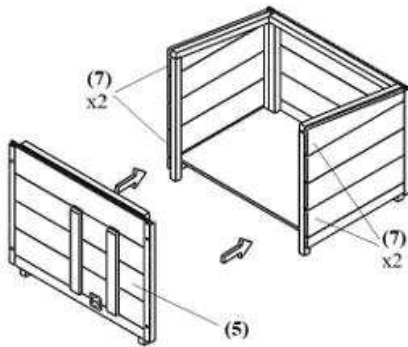
Step 1



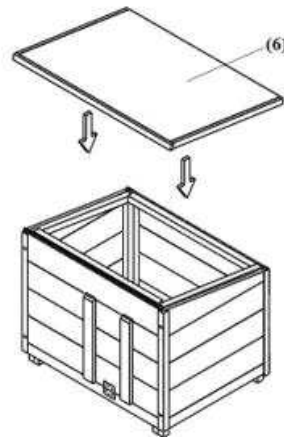
Step 2



Step 3



Step 4



Final layout

